

15" Foot Rest

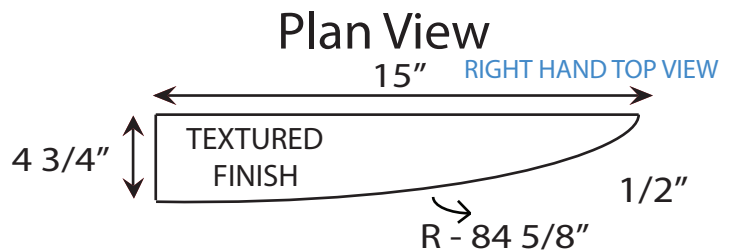
Specifications

- Model: 15" Foot Rest
 - Length 15"
 - Finish: Glossy or Matte
 - Textured Non-Slip Finish
 - Thickness: 1 1/2"
 - Material: Cultured Marble
 - Pre-drilled Mounting Holes
- Includes: 3 - #10 SS Truss Head Sheet Metal Screws to be used with Blocking
 Option: 3 - MAW 35-SD Wing its - Use When Blocking is Unavailable

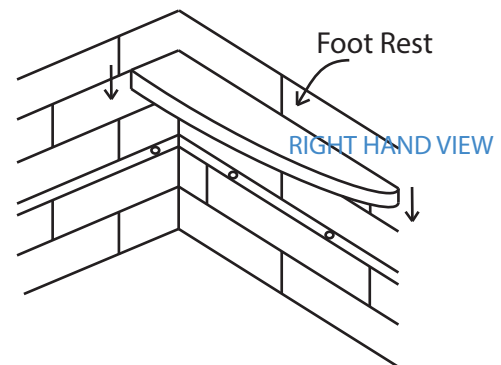
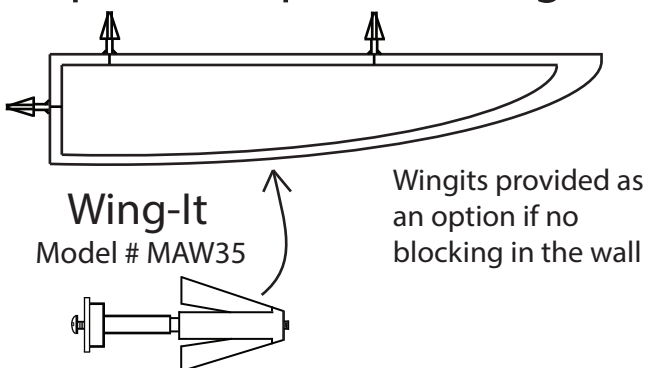


Standard Features

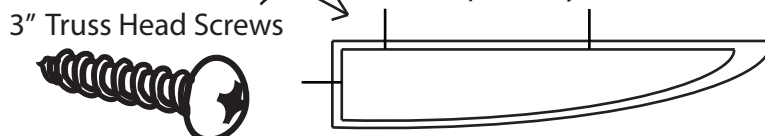
- Permanently Sealed Surface
- Extremely Sanitary
- Water Proof and Leak Proof
- Bacteria Resistant
- Easy to Install
- Maintenance Free
- Made in the USA



Top View (Optional Wingits)



Stainless Steel Screws Required by Others



To review color options for this product please contact your Sales Representative or refer to our website at:

www.mplcompany.net/request-color