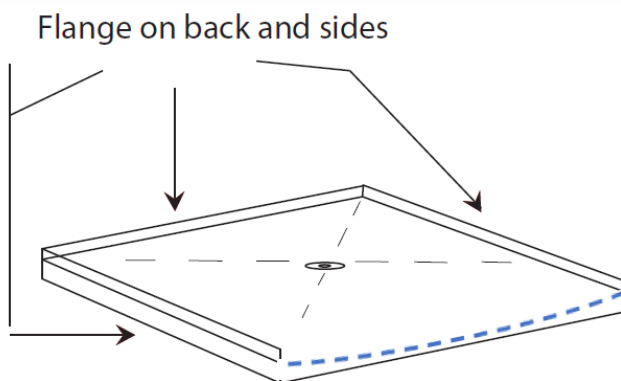


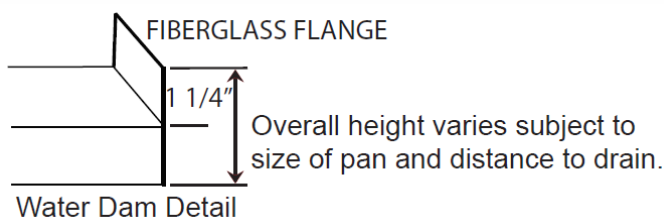
## Transfer Shower Pan

### Specifications

- Model: Transfer Shower Pan
- Pan Size: Pan can be adjusted per ADA Specifications
- Finish: Textured - Non Slip
- Side Wall: TBD
- Back Wall: TBD
- Drain Location: Per Specifications
- Drain Openings: 3 1/4"
- Front of Pan Thickness Varies
- Flange: Attached 4" Sides and Back
- Weight: TBD
- Material: Cultured Marble
- Our Product Comply with one or more of the following: IAPMO, ANZI, CSA & ASTM F462-79 Coefficient of Friction Test



With the built-in slope to drain, the front edge will have a slight 'smile'.



Water Dam Detail



Side View With Slope

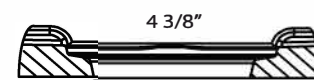
It is required for ADA compliance that the finish floor is 'floated' to meet the height and 'smile' of pan's front edge.

### Standard Features

- Solid One Piece Construction
- Abrasion Resistant Gel Coat Surface
- Seamless
- Pre-leveled - Rest on Sub Floor
- Extremely Sanitary
- Water Proof and Leak Proof
- Bacteria Resistant
- Easy to Install
- Maintenance Free
- 10 Year Limited Warranty
- Made in the USA

### Additional Accessory Options

- Shower Pan Protector



Drain Detail