

# Low Profile (LP32x60) Solid Surface Trench Drain

**FEATURES**

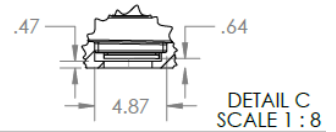
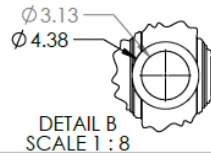
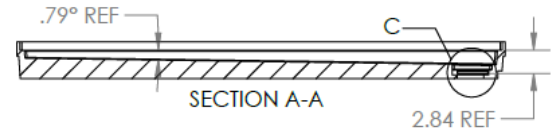
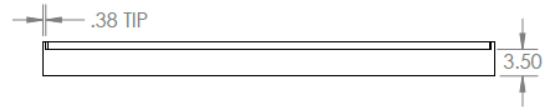
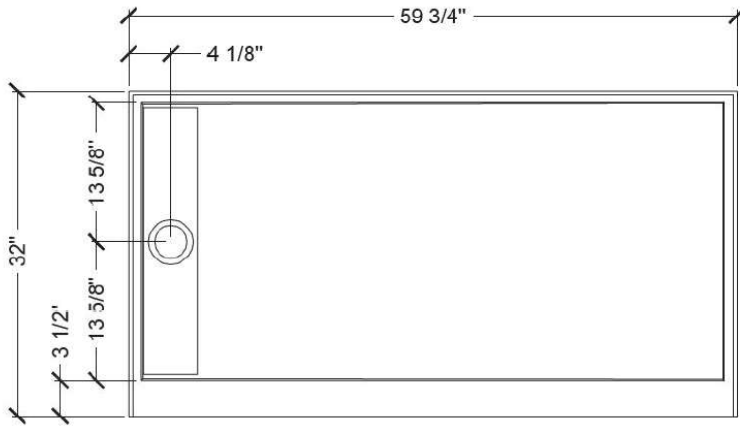
- Molded, one-piece solid surface material
- Non-porous through-body color (no gel coat or topcoat finish)
- Integral, watertight 1" high flange where pan meets wall
- Integral 3-7/16" high x 3-1/2" wide curb to receive shower door
- Textured, non-slip floor finish, sloped to trench drain

**COMPOSITION**


- Low Profile Solid Surface Pans are made from a minimum of 60% natural stone material, premium-grade NPG Isophthalic (ISO) solid surface resin.

**Stainless Steel Cover**

Features a stainless steel trench drain cover.



**COLOR OPTIONS:**

|                          |       |   |
|--------------------------|-------|---|
| <input type="checkbox"/> | White |  |
| <input type="checkbox"/> |       |   |
| <input type="checkbox"/> |       |   |
| <input type="checkbox"/> |       |   |

White

**Meets or Exceeds the Following Specifications**

- ASME A112.18.1 / CSA B125.125.1-11
- cUPC®

