

**72" x 79" Straight Reversible Single Sliding Shower Door with Vertical Aluminum U-Channel for use with 72" Wide Pan**



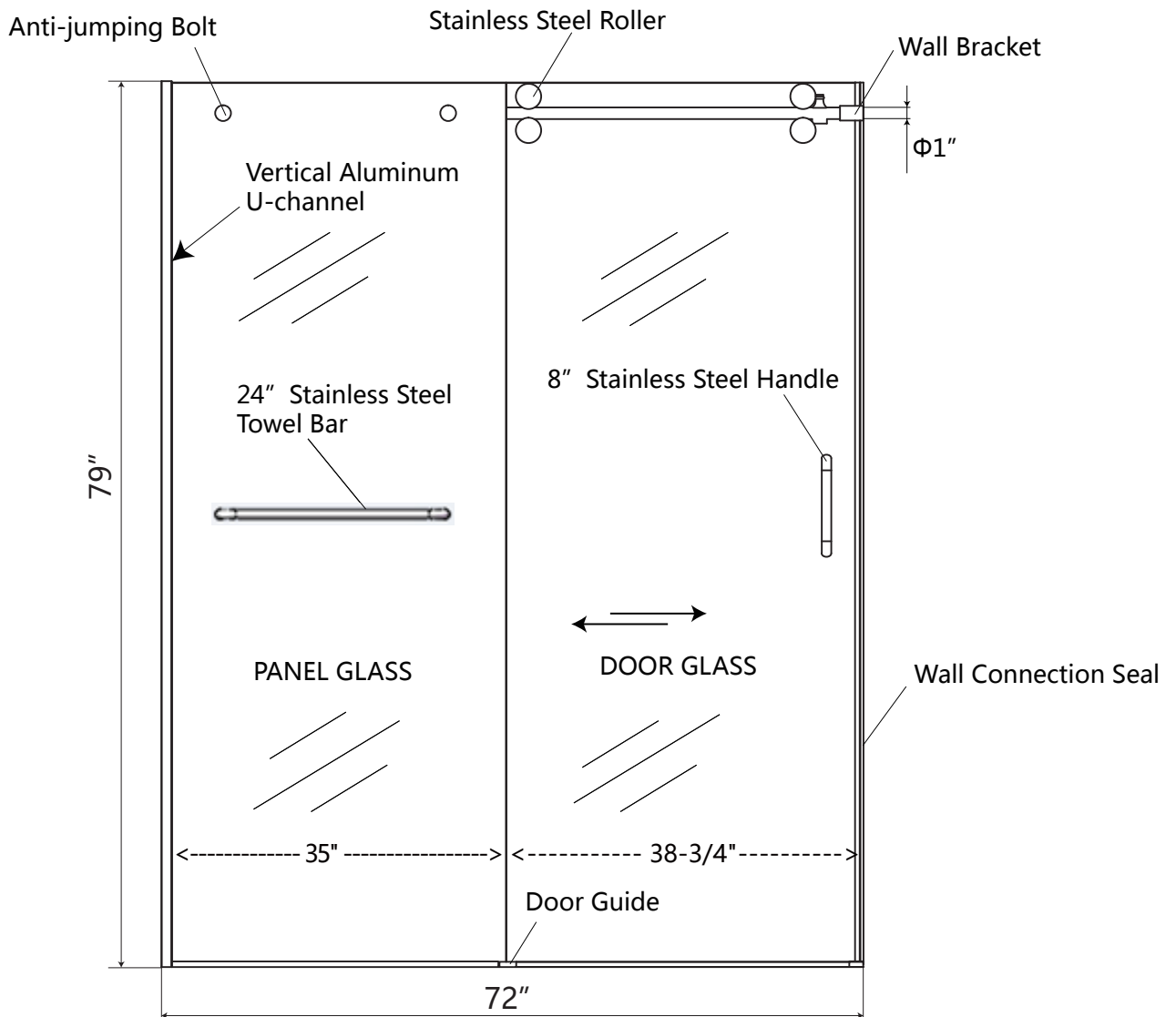
Details

|                   |  |
|-------------------|--|
| Dimensions:       | 72" width x 79" height                 |
| Glass Thickness:  | 10mm (3/8")                            |
| Finish:           | Polished Chrome                        |
| Upcharge options: | Brushed Nickel/Black Polished or Matte |

Standard Features

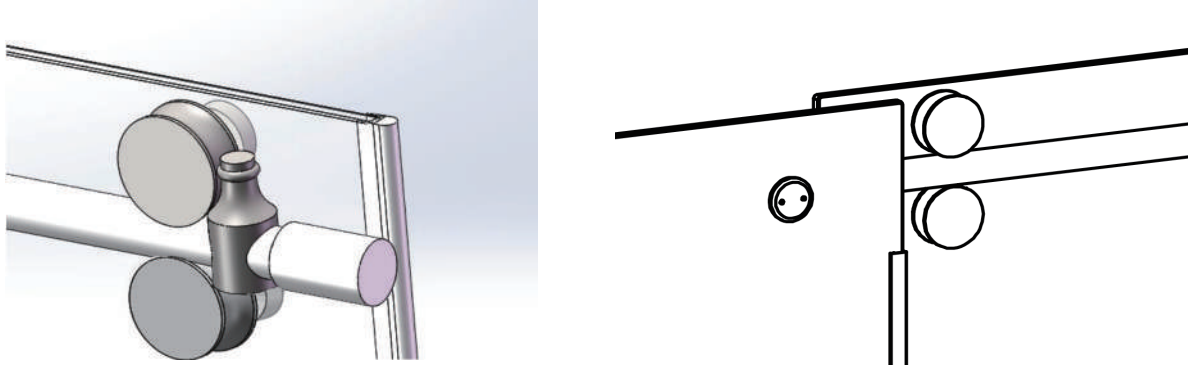
|               |  |
|---------------|--|
| Name:         | HX420                                      |
| Door Style:   | Frameless Series                           |
| Door Type:    | Single Slide Frameless Door                |
| Glass Finish: | Clear Tempered(SGCC certified 6121 3/8 AU) |
| Nano Coating: | Yes, double-side Nano glass treatment      |
| Reversible:   | Yes  |
| Handle:       | Stainless Steel Door Handles               |
|               | Handles can be replaced(Optional)          |

**Specification Drawing**

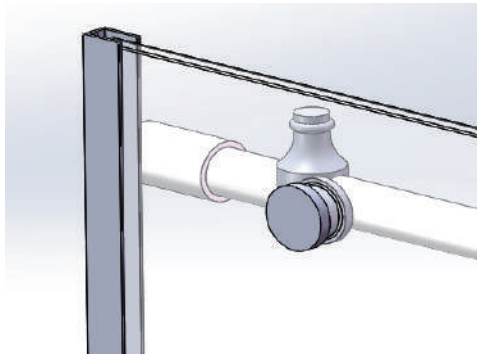


72" x 79" Straight Reversible Single Sliding Shower Door with Vertical Aluminum U-Channel for use with 72" Wide Pan

Stainless Steel Rollers and Tubal Rail



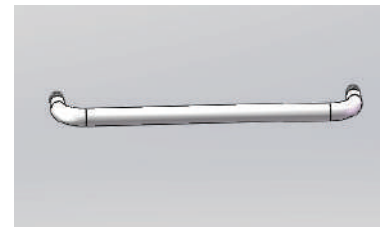
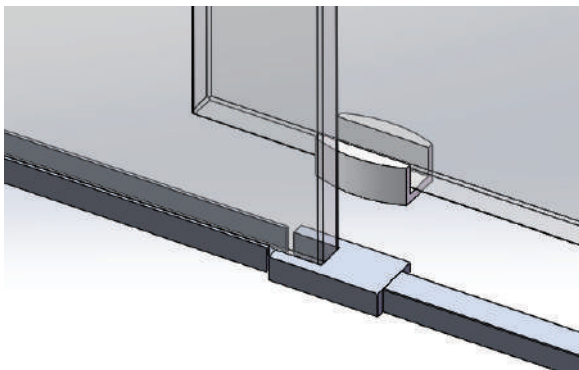
Aluminum U-channel, stainless steel anti-jumping bolt and wall bracket



8" Stainless Steel Handle



Door Guide and Waterproof Bar



24" Stainless Steel Towel Bar  
(The handle and towel bar can be optional and the sizes can be customized)