

PASADENA

GLASS SHOWER ENCLOSURE BY-PASS DOOR

SLIDING ROLLER LAYOUT

ELEVATION

Option 1 - Right Sliding

Option 2 - Left Sliding

Available in 3/8" (10mm)

1/2" (12mm) glass is not recommended

SERIES

Pasadena

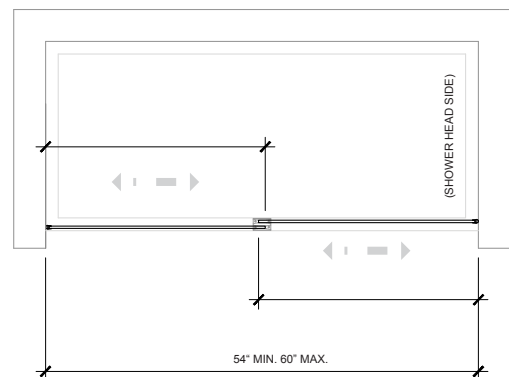
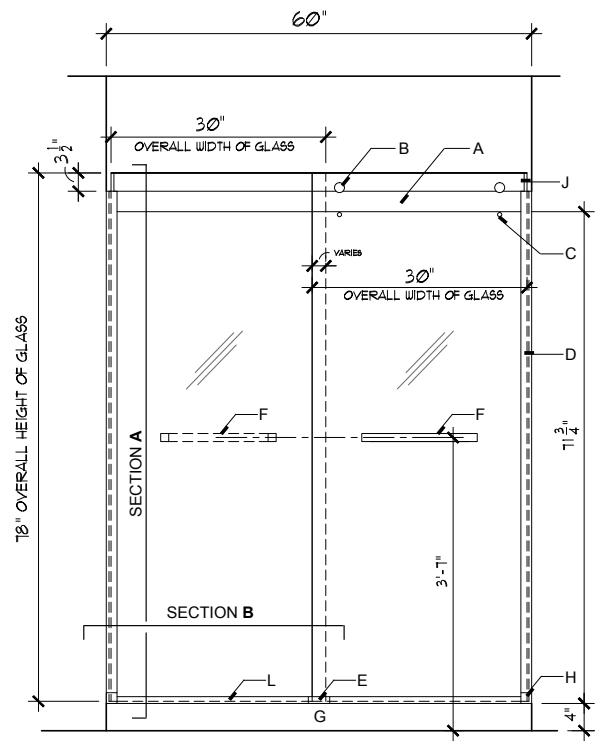
KEYNOTES

- A. Top track
- B. Trolley hardware
- C. Anti-jump hardware
- D. Side rail
- E. Concealed panel guide
- F. Towel bar hardware
- G. Shower curb
- H. Side rail shoe
- J. Glass door edge protector
- K. 3/8" thick sliding glass door
- L. Bottom rail

NOTES

- 54" min. to 60" max finished opening
- Glass available in 3/8" (10mm) tempered. 1/2" (12mm) glass is not recommended
- Panel overlap varies
- Hydrophobic coating is available upon request at an additional charge

ELEVATION



MPL Company

0. 317-835-9000

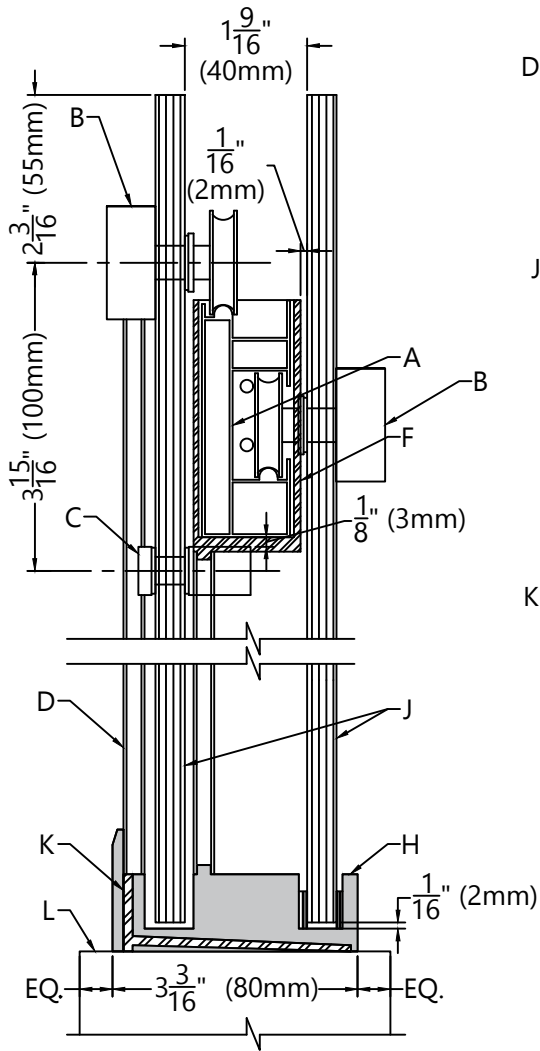
E. CustomerService@MPLCompany.net

203 N. Edgerton Street
Fairland, IN 46126

www.mplcompany.net

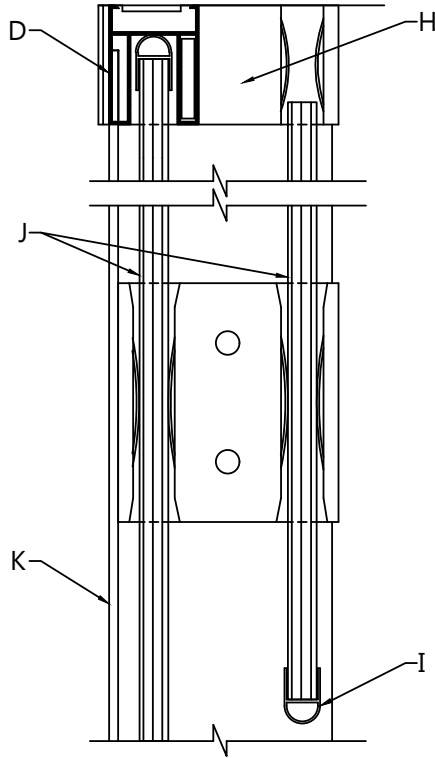
PASADENA SERIES

SECTION A



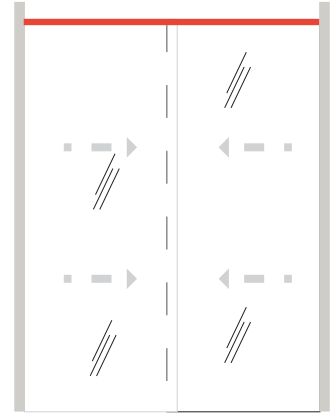
SECTION A

SECTION B



SECTION B

SPECIFICATIONS



- Max height is 78" OA (top of glass to curb)
- Panels overlap (overall width/2) + 1" to get overall panel width
- Low iron is available upon request
- Hydrophobic coating available upon request
(This makes cleaning the glass easier)

NOTE: Depending on application, all shower enclosures will come with adjustable trolley

TROLLEY HARDWARE



Top Rail



Door Handle



Roller

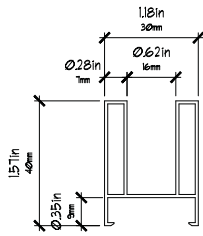


Bottom Rail

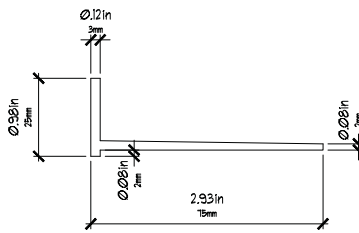
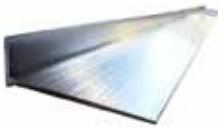
PASADENA SERIES

TROLLEY HARDWARE

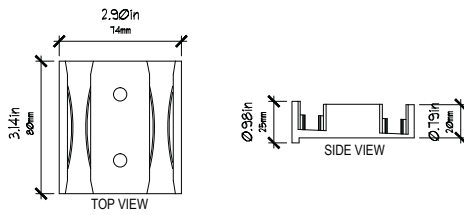
SIDE RAIL



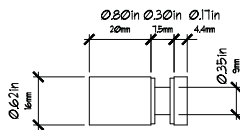
BOTTOM RAIL



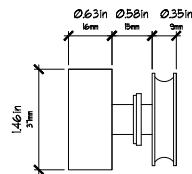
PANEL GUIDE



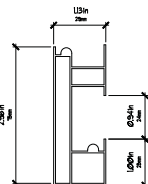
ANTI-JUMP



TROLLEY



TOP RAIL



HARDWARE PULL

ACPA6316 16" Towel Bar

