

FEATURES

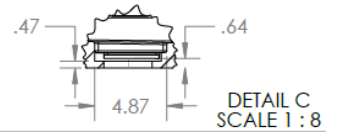
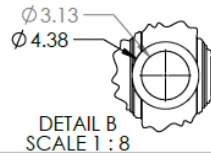
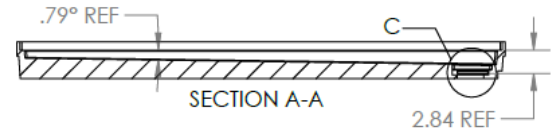
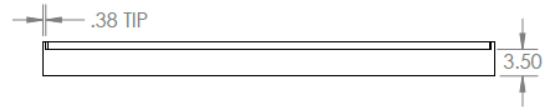
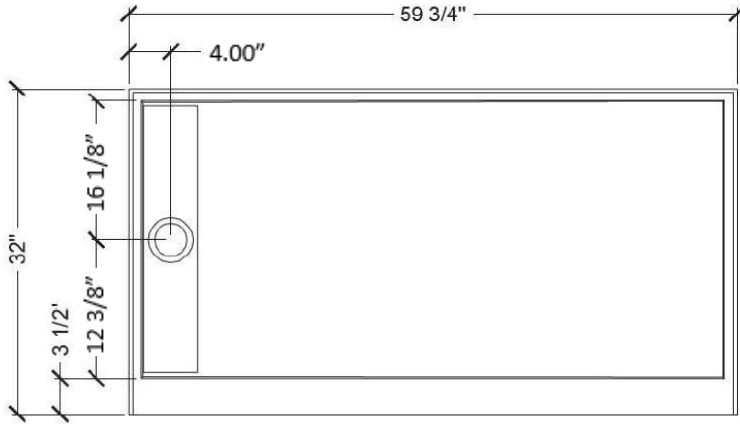
- Molded, one-piece solid surface material
- Non-porous through-body color (no gel coat or topcoat finish)
- Integral, watertight 1" high flange where pan meets wall
- Integral 3-7/16" high x 3-1/2" wide curb to receive shower door
- Textured, non-slip floor finish, sloped to trench drain

COMPOSITION


- Low Profile Solid Surface Pans are made from a minimum of 60% natural stone material, premium-grade NPG Isophthalic (ISO) solid surface resin.

Stainless Steel Cover

Features a stainless steel trench drain cover.



COLOR OPTIONS:

| | | |
|--------------------------|-------|---|
| <input type="checkbox"/> | White |  |
| <input type="checkbox"/> | | |
| <input type="checkbox"/> | | |
| <input type="checkbox"/> | | |

White

Meets or Exceeds the Following Specifications

- ASME A112.18.1 / CSA B125.125.1-11
- cUPC®

