

## 48" × 32" × 3" Fiberglass AcrylX™ Shower Pan - Center



### Specifications

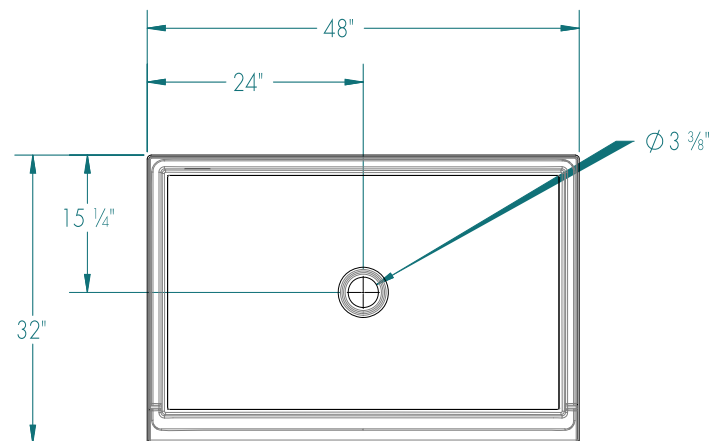
- **Model:** RS-PX-SB4832
- **Finish:** AcrylX™ Applied Acrylic
- **Actual Pan Size:** 48" × 32" × 4 1/4"
- **Drain Location:** Center
- **Weight:** 56 lbs
- **Color:** White
- **Threshold:** 3"



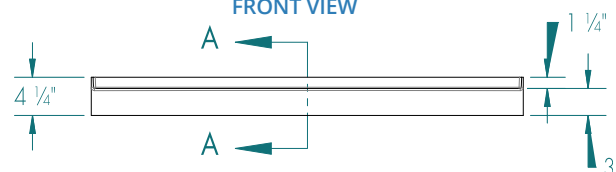
### Standard Features

- **Slip Resistant:** ArmorCore™ Slip Resistant, Textured Bottom; Integrated Weep Holes
- **Water Containment:** Sloped Threshold Ensures Water Containment
- **Pre-Leveled:** Pre-Leveled Legs, No Mortar Bed Required
- **Product Compliance:** ANSI 124.1, UPC
- **Warranty:** Lifetime Limited Warranty

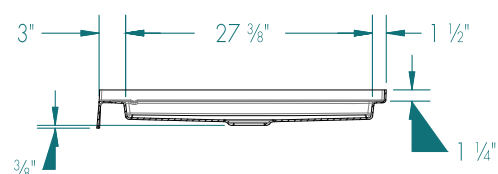
TOP VIEW



FRONT VIEW



END VIEW



To review color options for this product please contact your sales representative or refer to our website at:

[www.mplcompany.net/request-color](http://www.mplcompany.net/request-color)