

# 60" × 31" × 4" Fiberglass AcrylX™ Shower Pan - Left / Right

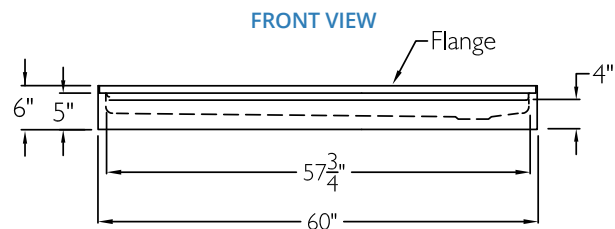
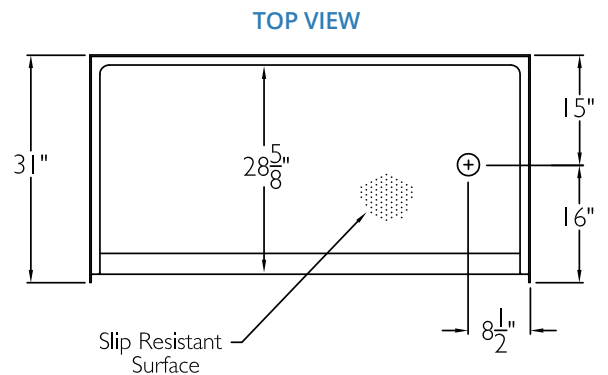


## Specifications

- **Model:** XSB 6030 SH 4.0
- **Finish:** AcrylX™ Applied Acrylic Surface
- **Actual Pan Size:** 60" × 31" × 6"
- **Drain Location:** Left, Right
- **Weight:** N/A
- **Color:** White
- **Threshold:** 4"

## Standard Features

- **Slip Resistant:** Slip Resistant Surface on Floor
- **Compliance:** ANSI Z124.1-2, BOCA, CSA B45.5, Home Innovation Research Lab, Meets the Requirements of the Southern Building Code Warranty: Lifetime Limited Warranty



SIDE VIEW

