

60" × 32" × 21" Fiberglass AcrylX™ Soaker Bathtub



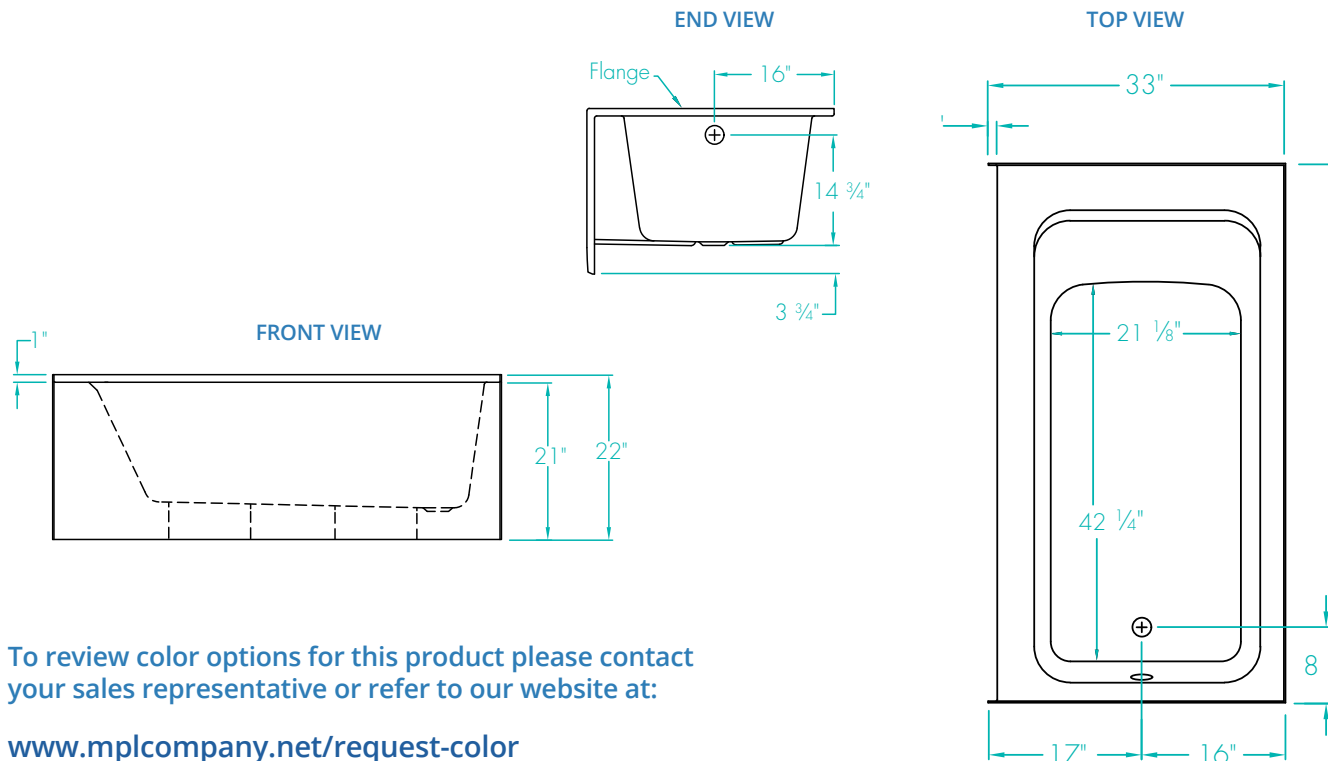
Specifications

- **Model:** RS-PX-G6032TOMINL (Left) & RS-PX-G6032TOMINR (Right)
- **Finish:** AcrylX™ Applied Acrylic
- **Actual Size:** 60" × 33" × 22"
- **Drain Location:** Left / Right
- **Skirt:** Integral Skirt, Height 21"
- **Weight:** 52 lbs
- **Color:** White
- **Features:** Alcove Bath, Ergonomic Backrest, Above-Floor Rough Feature, Slip Resistant Bottom
- **Options:** Designer Drain, Waste, and Overflow



Standard Features

- **Product Compliance:** ANSI 124.1, UPC
- **Warranty:** Lifetime Limited Warranty



To review color options for this product please contact your sales representative or refer to our website at:

www.mplcompany.net/request-color