

## 60" x 32" x 75 1/2" Icon Fiberglass AcrylX™ Single-Piece Shower Surround



### Specifications

- **Model:** RS-PX-SH6032L (Left) & RS-PX-SH6032R (Right)
- **Finish:** AcrylX™ Applied Acrylic Surface
- **Actual Size:** 60" x 32 1/4" x 75 1/2"
- **Drain Location:** Center
- **Weight:** 140 lbs
- **Color:** White
- **Walls:** Flat Walls
- **Design Features:** Simple Shelf Capacity; Dual Integrated Foot Ledges
- **Options:** Teak Bench Straight or Curved; Factory-Installed Grab Bars; FHA and Full Wall Reinforcement for Grab Bars; Brass Shower Drain



TEAK BENCH STRAIGHT

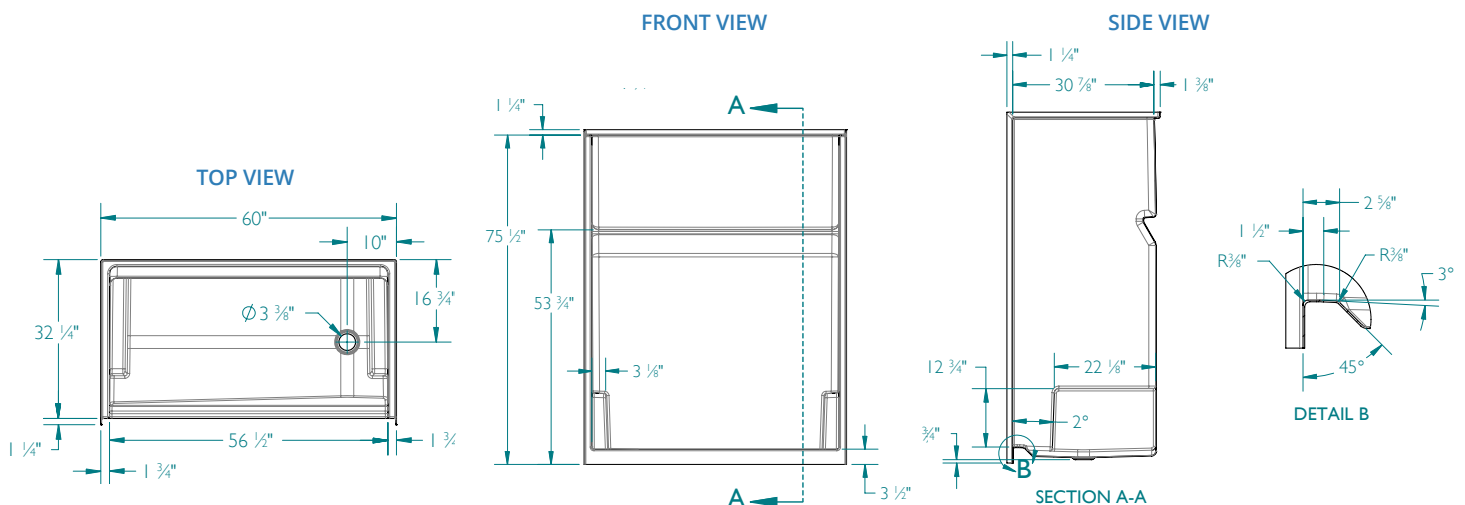


TEAK BENCH CURVED



### Standard Features

- **Slip-Resistant:** Slip-Resistant Textured Bottom
- **Product Compliance:** HUD/FHA Design Manual Requirement 6\*; CSA B45.5/IAMPO Z124
- **Warranty:** Lifetime Limited Warranty



\*When ordered with factory installed reinforcement, product will meet or exceed the minimum coverage area and load requirements of ANSI section 609.8, when grab bars are installed within the reinforced area.