

60" × 36" × 3" Fiberglass AcrylX™ Shower Pan - Left / Right

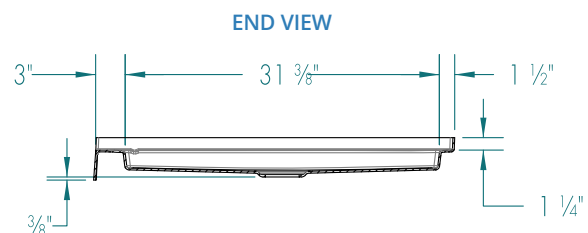
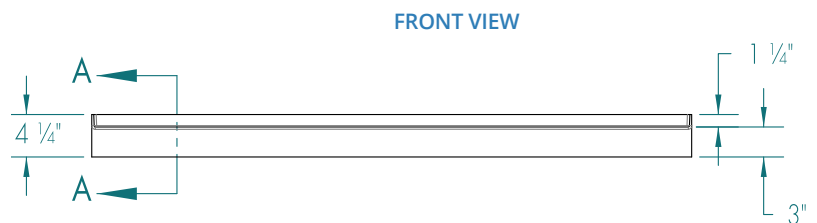
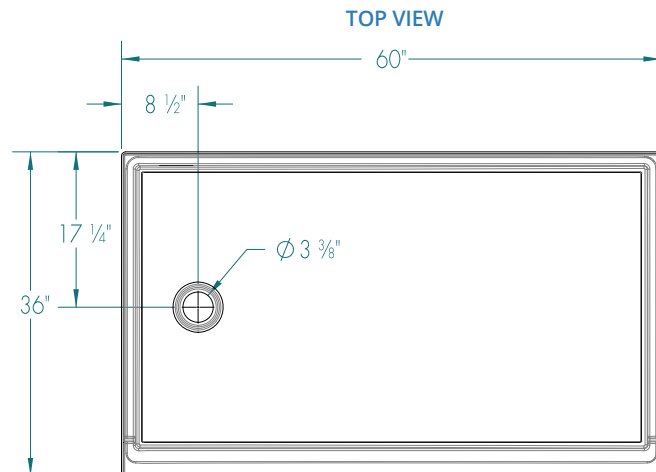


Specifications

- **Model:** RS-PX-SB6036L (Left), RS-PX-SB6036R (Right)
- **Finish:** AcrylX™ Applied Acrylic
- **Actual Pan Size:** 60" × 36" × 4 1/4"
- **Drain Location:** Left, Right
- **Weight:** 77 lbs
- **Color:** White
- **Threshold:** 3"

Standard Features

- **Slip Resistant:** ArmorCore™ Slip Resistant, Textured Bottom; Integrated Weep Holes
- **Water Containment:** Sloped Threshold Ensures Water Containment
- **Pre-Leveled:** Pre-Leveled Legs, No Mortar Bed Required
- **Product Compliance:** ANSI 124.1, UPC
- **Warranty:** Lifetime Limited Warranty



To review color options for this product please contact your sales representative or refer to our website at:

www.mplcompany.net/request-color