

62" x 32" x 79" Fiberglass AcrylX™ Multi-Piece ADA Shower Surround

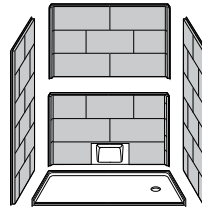


ADA-compliant



Specifications

- **Model:** RS-PX-MP6232BF1-05PL (Left) & RS-PX-MP6232BF1-05PR (Right)
- **Finish:** AcrylX™ Applied Acrylic Surface
- **Pan Size:** 62 7/8" x 32 1/4" x 79"
- **Drain Location:** Left, Right
- **Weight:** 492 lbs
- **Color:** White
- **Walls:** Reinforced
- **Threshold:** Barrier-Free Threshold

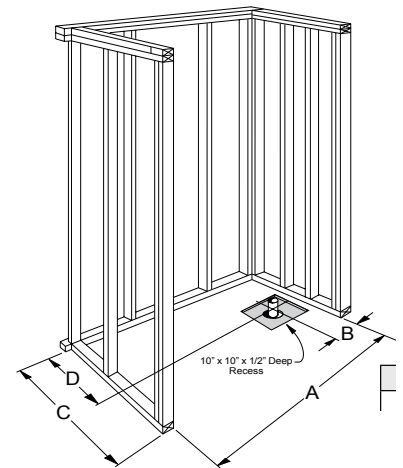
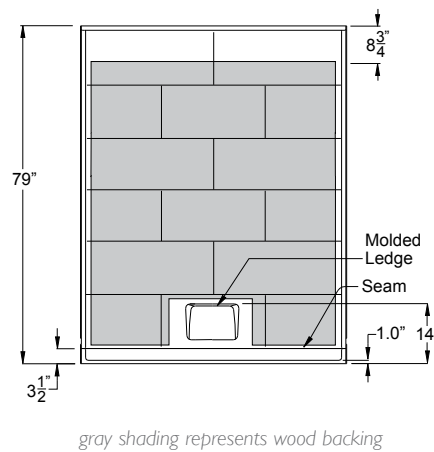
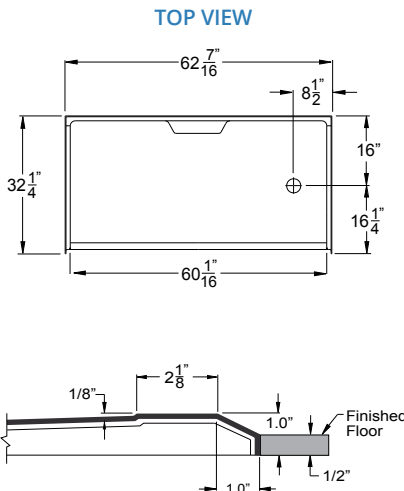


Standard Features

- **Pre-Levelled:** EasyBase™ Self-Supporting and Pre-Levelled Shower Base
- **Product Compliance:** ADA, IPC, UPC, ANSI Z 124.2, NAHB, HUD, FHA, MAS and TAS
- **Warranty:** Lifetime Limited Warranty

FRONT VIEW

SIDE VIEW



A	B	C	D
62.688"	8.563"	32.25"	16"