

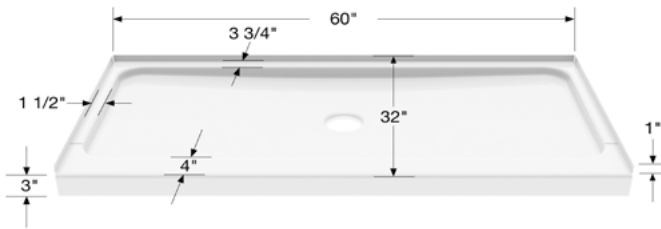
BrookCast 60" x 32" x 3" Porcelain Enamel Alcove Shower Base – Center Round Drain

Americast
by **MPL**



Specifications

- **Model:** RS-BZ-MPL-2120-00A
- **Drain Location:** Center



Standard Features:

- Model Size: 60 L in. X 32 W in. X 3 H in.
- Single threshold for alcove installation
- Fits most standard round drain kits (not included)
- Timeless white color

Product characteristics:

- Brilliant porcelain finish
- Durable steel construction
- Lifetime Warranty

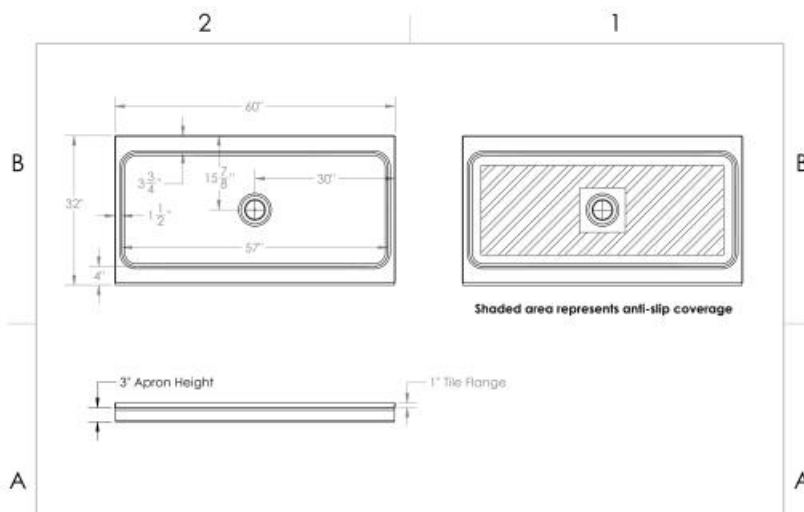
Code Compliant:

- ANSI
- FHA

Standard Colors:



White



Dimensions

60 x 32 x 4 In.
(1524 x 813 x 102 mm)

Weight

47 lbs - 21 kg

Shape

Rectangular

Drain location:

Center

All dimensions are approximate. Structure measurements must be verified against the unit to ensure proper fit. Please see the detailed technical drawing for additional measurements.