

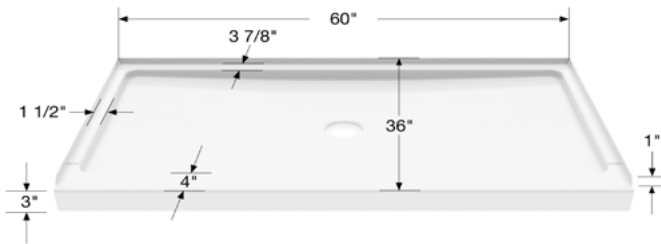
BrookCast 60" x 36" x 3" Porcelain Enamel Alcove Shower Base – Center Round Drain

Americast
by **MPL**



Specifications

- **Model:** RS-BZ-MPL-2320-00A
- **Drain Location:** Center



Standard Features:

- Model Size: 60 L in. X 36 W in. X 3 H in.
- Single threshold for alcove installation
- Fits most standard round drain kits (not included)
- Timeless white color

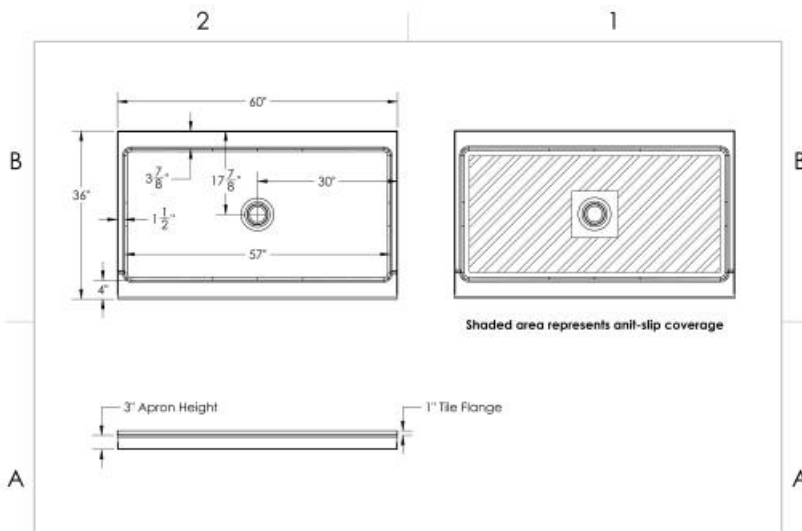
Product characteristics:

- Brilliant porcelain finish
- Durable steel construction
- Lifetime Warranty

Code Compliant:

- ANSI
- FHA

Standard Colors:



Dimensions
60 x 36 x 4 In.
(1524 x 914 x 102 mm)

Weight
56 lbs - 25 kg

Shape
Rectangular

Drain location:
Center

All dimensions are approximate. Structure measurements must be verified against the unit to ensure proper fit. Please see the detailed technical drawing for additional measurements.